

SERIES OF HYBRID STEPPING MOTOR

混合式步进电机 二相高转矩低振动方形 110STH 系列



基本参数 (General Specifications):

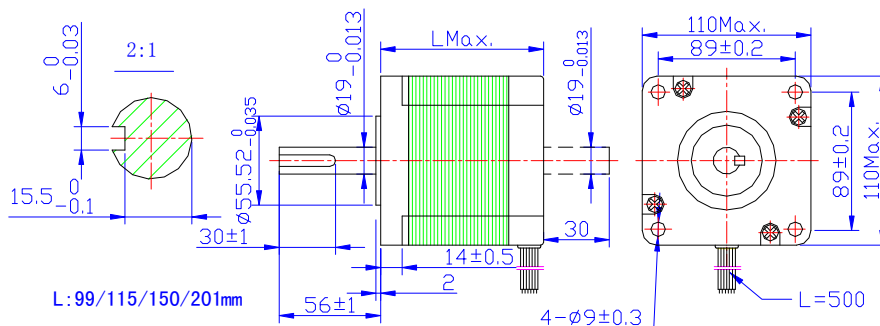
步距角 (Step Angle)	-----1.8° /0.9° (Full step/half step)
步距角精度 (Step Accuracy)	-----±5.4'
温升 (Temperature Rise)	-----85K
环境温度 (Ambient Temperature Range)	-----25~+40°C
绝缘电阻 (Insulation Resistance)	-----500V DC 100MΩ Min
绝缘介电强度 (Dielectric Strength)	-----1000V AC 50Hz 1mA 1Minute
绝缘等级 (Insulation Class)	-----F
径向跳动 (Radial Play)	-----0.025mm Max
轴向间隙 (End Play)	-----0.3~0.5mm
最大径向力 (Max. radial force)	-----220N (20mm from the flange)
最大轴向力 (Max. axial force)	-----60N
旋转方向 (Rotation)	-----CW (See from flange)

主要参数 (Electrical Specifications):

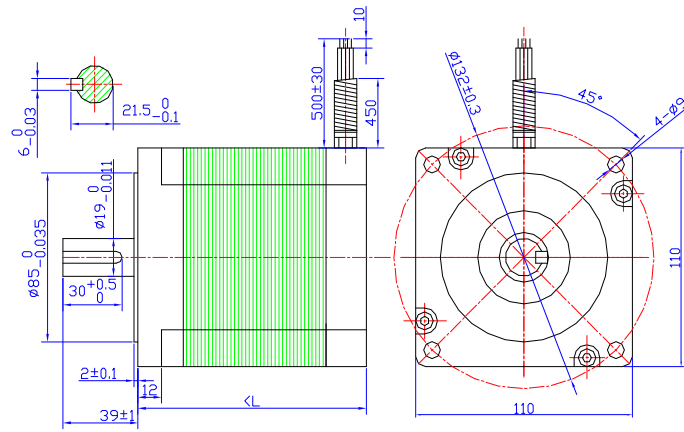
型号 Model		机身長 L	相数 Phases	保持转矩 Holding Torque	电压 Rated Voltage	电流 Rated Current	电阻 Phase Resistance	电感 Phase Inductance	转动惯量 Rotor Inertia	重量 Motor Weight
单轴伸	双轴伸	mm		N. m	VDC	A	Ω	mH	Kg. cm ²	Kg
110STH99-5004A	110STH99-5004AS	99	2	10	24-150	5	0.64	9.3	5.5	5
110STH115-6004A	110STH115-6004AS	115	2	12	24-150	6	0.455	6.1	6.8	6
110STH115-6004B	110STH115-6004BS	115	2	12	24-150	6	0.455	6.1	6.8	6
110STH115-6004C	110STH115-6004CS	115	2	12	24-150	6	0.455	6.1	6.8	6
110STH115-6004E	110STH115-6004ES	115	2	12	24-150	6	0.455	6.1	6.8	6
110STH150-6004A	110STH150-6004AS	150	2	20	24-150	6	1.0	17	10.9	8.4
110STH150-6004B	110STH150-6004BS	150	2	20	24-150	6	1.0	17	10.9	8.4
110STH150-6004E	110STH150-6004ES	150	2	20	24-150	6	1.0	17	10.9	8.4
110STH150-6004F	110STH150-6004FS	150	2	20	24-150	6	1.0	17	10.9	8.4
110STH201-8004A	110STH201-8004AS	201	2	27	24-150	8	0.17	4.2	16.2	11.7

*以上产品为基本型，可根据用户要求订做派生：轴伸、电流、高低温、防水密封等

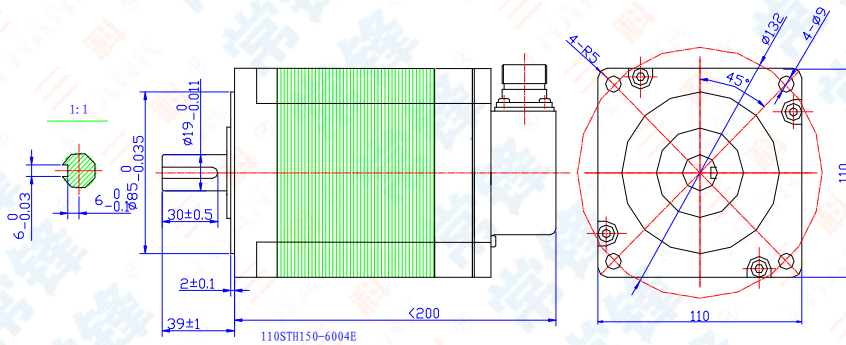
外形图 (Dimensions):



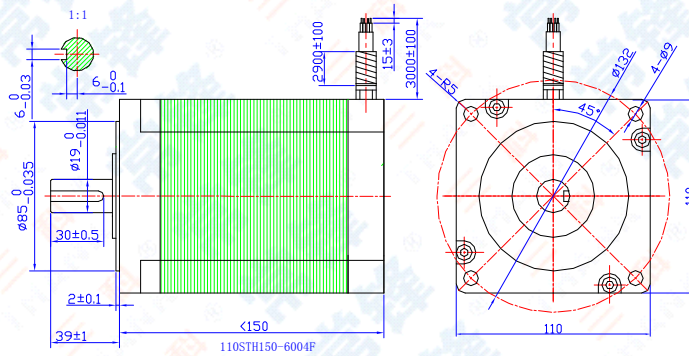
110STH99-5004A/AS, 110STH115-6005A/AS, 110STH150-6004A/AS, 110STH201-8004A/AS



110STH115-6004B

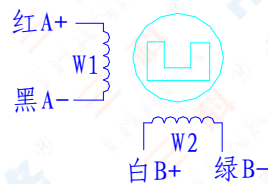


110STH150-6004E



110STH150-6004F

接线图 (Wiring Diagram):



运行矩频特性 (Pull-out Torque-pulse curve) (平均参考值):

